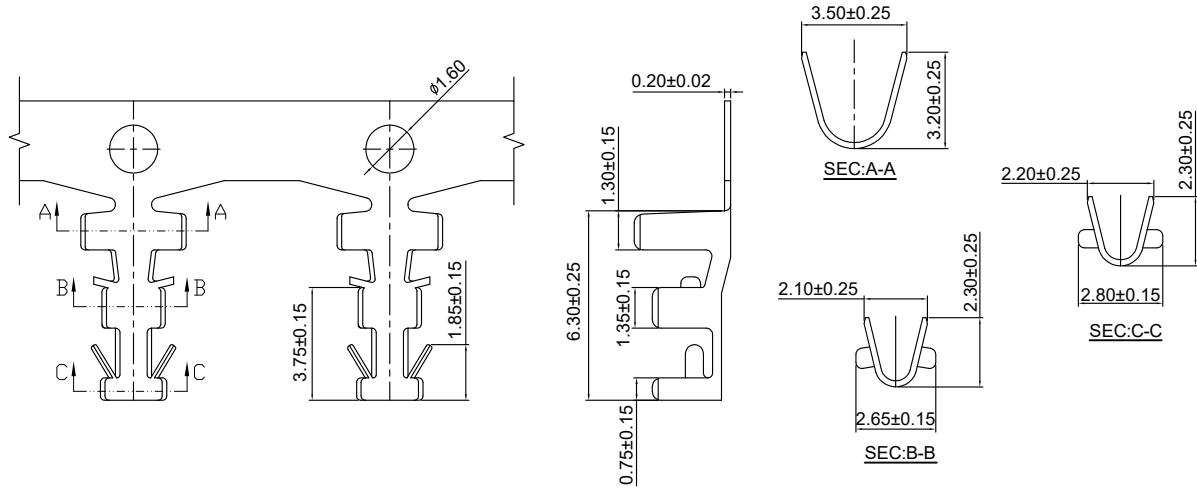




## HDGC1803-1804 Series 1.80mm (.071") Pitch Board to Board Connector

### HDGC1803-T

1.80mm pitch Crimp Terminal



Ordering information & Specifications:

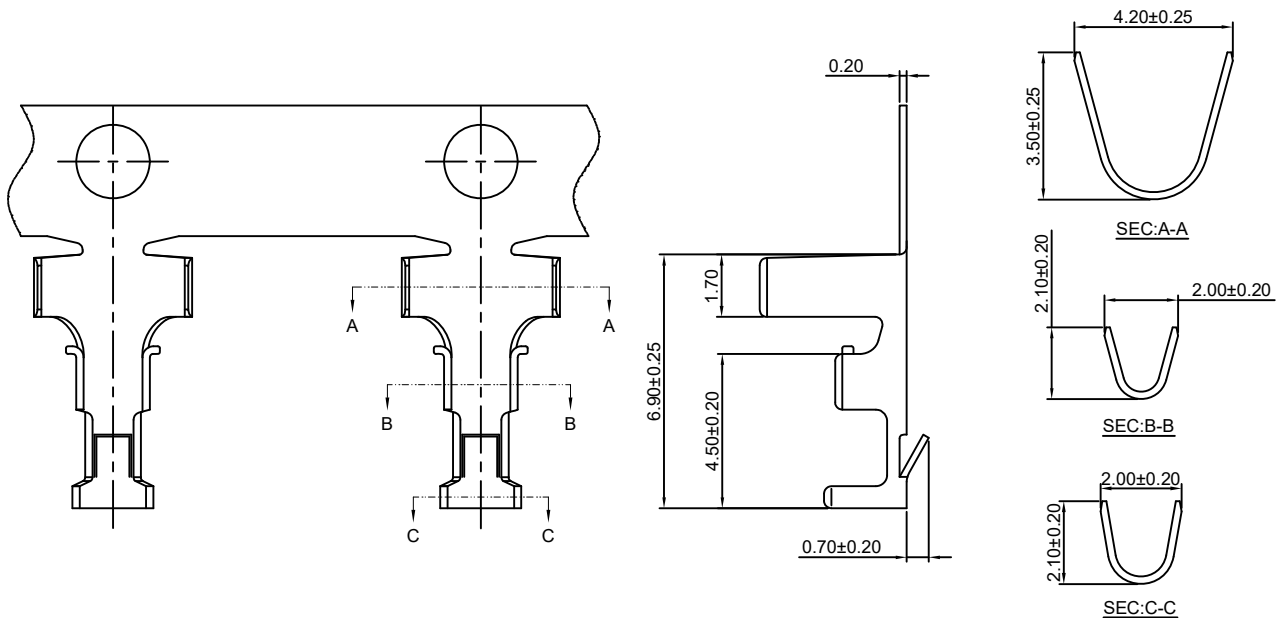
Unit:mm

Part NO.	Wire Range	Insulation O.D.	Material	Finish	Qty/reel
HDGC1803-TB	AWG#18-#22	3.05mm(max)	Brass	Tin over Nickel	5,000 PCS
HDGC1803-TP	AWG#18-#22	3.05mm(max)	Phosphor Bronze	Tin over Nickel	5,000 PCS
HDGC1803-GB	AWG#18-#22	3.05mm(max)	Brass	Gold over Nickel	5,000 PCS
HDGC1803-GP	AWG#18-#22	3.05mm(max)	Phosphor Bronze	Gold over Nickel	5,000 PCS

Optional Gold plating available but MOQ requested

### HDGC1804-T

1.80mm pitch Crimp Terminal



Ordering information & Specifications:

Unit:mm

Part NO.	Wire Range	Insulation O.D.	Material	Finish	Qty/reel
HDGC1804-TB	AWG#18-#22	3.05mm(max)	Brass	Tin over Nickel	5,000 PCS
HDGC1804-TP	AWG#18-#22	3.05mm(max)	Phosphor Bronze	Tin over Nickel	5,000 PCS
HDGC1804-GB	AWG#18-#22	3.05mm(max)	Brass	Gold over Nickel	5,000 PCS
HDGC1804-GP	AWG#18-#22	3.05mm(max)	Phosphor Bronze	Gold over Nickel	5,000 PCS

Optional Gold plating available but MOQ requested