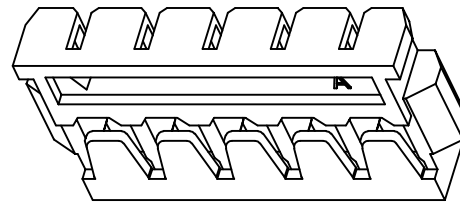
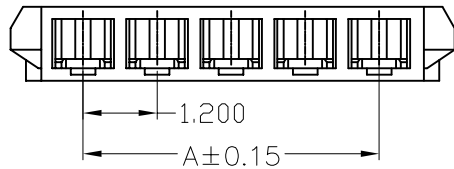
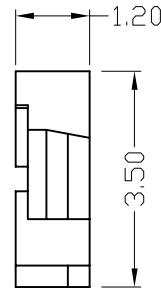
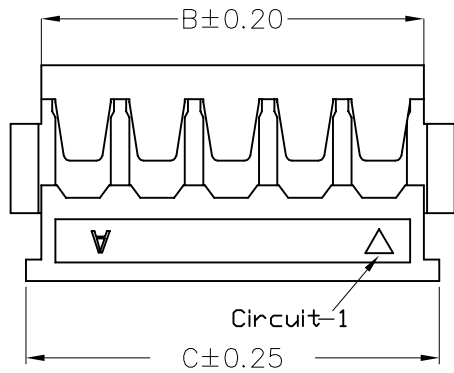


修订 REV	标记 MARK	修改摘要 REVISION DESCRIPTION	签名 SIGNATURE	日期 DATE
A0		NEW DWG		2012-11-10

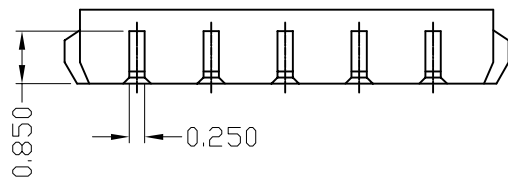


■ Specifications :

- Voltage rating: 50V AC / DC
- Current rating: 1.5A AC / DC
- Withstanding voltage: 500V AC/minute
- Temperature range: -25°C~+85°C
- Insulation resistance: ≥100MΩ
- Contact resistance: ≤20mΩ
- After environmental testing: ≤40mΩ



Poles	Dimensions(mm)		
	A	B	C
02	1.20	2.60	3.10
03	2.40	3.80	4.30
04	3.60	5.00	5.50
05	4.80	6.20	6.70
06	6.00	7.40	7.90
07	7.20	8.60	9.10
08	8.40	9.80	10.00
09	9.60	11.00	11.20
10	10.80	12.20	12.40

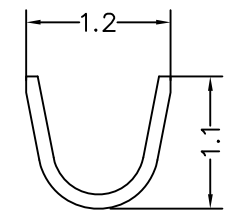
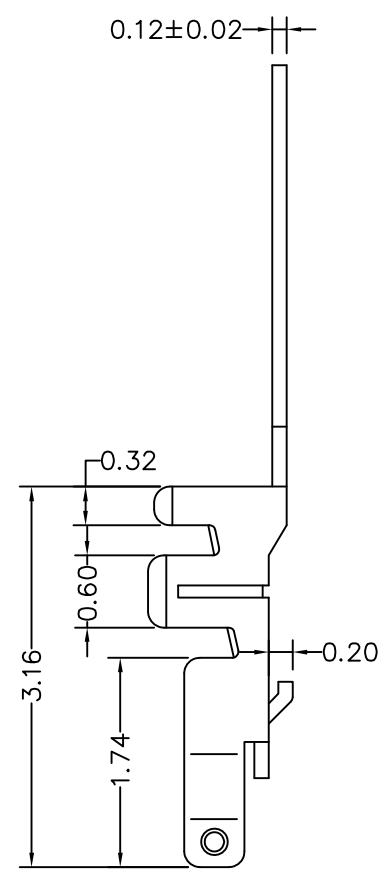
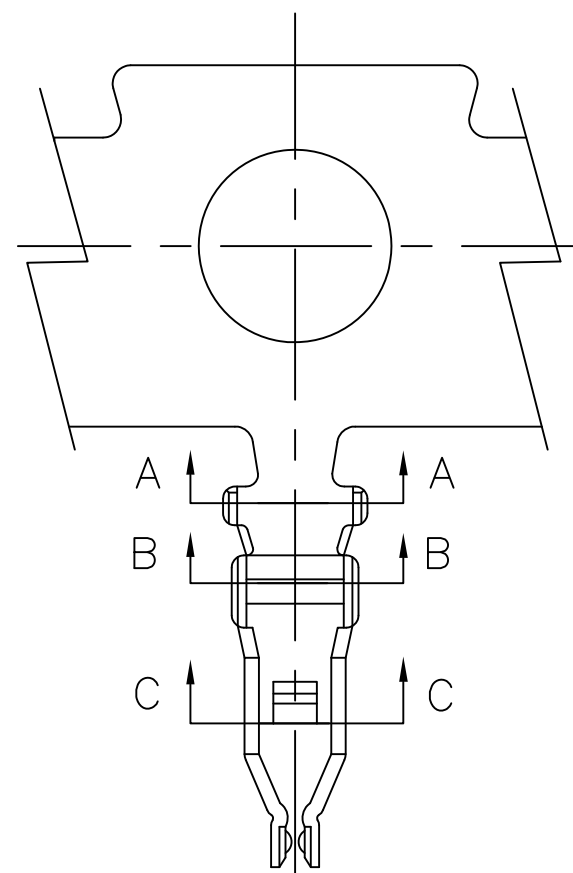


材质 : LCP UL94V-0

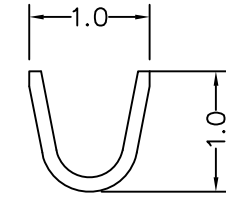
深圳市华德共创科技有限公司
Shenzhen Huade co-create Technology Co.,LTD
电话: 0755-27129737 传真: 0755-29940187

-TOLERANCES- UNLESS OTHERWISE SPECIFIED 公差参数表			TITLE: 产品名称: MX1.2胶壳			
X.X ± 0.30	X.X° ± 3°	APPD: 核准: 谢亮	PART NO: 产品编号: HDGC1202H-XP			
X.XX ± 0.30	X.XX° ± 2°	CHECK: 校对: 王建业	DATE	SCALE	UNIT	CODE NUMBER
X.XXX ± 0.10	X.XXX° ± 1°	DRAW: 绘图: 黄艳兰	2012-11-10	1:1	mm	A006

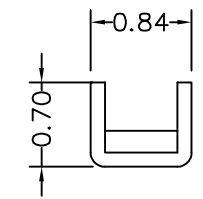
修订 REV	标记 MARK	修改摘要 REVISION DESCRIPTION	签名 SIGNATURE	日期 DATE
A0		NEW DWG		2012-11-10



Section A-A




Section B-B




Section C-C

Specification & Ordering Information:

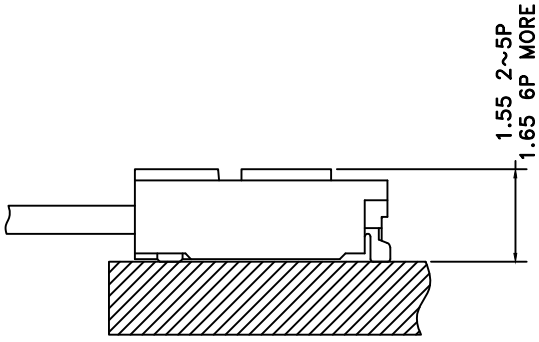
Part No	Wire Range	Insulation O.D.	Material	Finish
HDGC1202-T	AWG #30~#36	0.75mm(max)	Phosphor bronze	Gold over Nickel



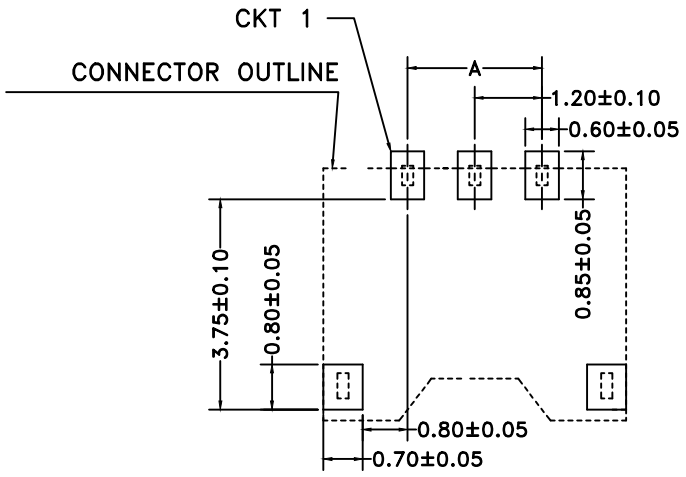
深圳市华德共创科技有限公司
Shenzhen Huade co-create Technology Co.,LTD
电话: 0755-27129737 传真: 0755-29940187

-TOLERANCES- UNLESS OTHERWISE SPECIFIED 公差参数表		 	TITLE: 产品名称: MX1.2-T			
X.X ± 0.30	X.X° ± 3'	APPD: 核准: 谢亮	PART NO: 产品编号: HDGC1202-T			
X.XX ± 0.30	X.XX° ± 2'	CHECK: 校对: 王建业	DATE	SCALE	UNIT	CODE NUMBER
X.XXX ± 0.10	X.XXX° ± 1'	DRAW: 绘图: 黄艳兰	2012-11-10	1:1	mm	A001

修订 REV	标记 MARK	修改摘要 REVISION DESCRIPTION	签名 SIGNATURE	日期 DATE
AO		NEW DWG		2021-05-24

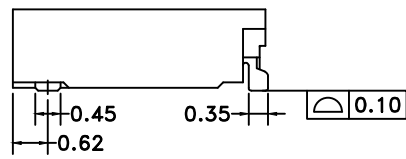
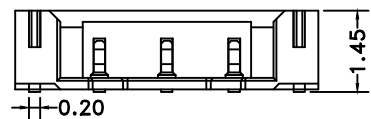
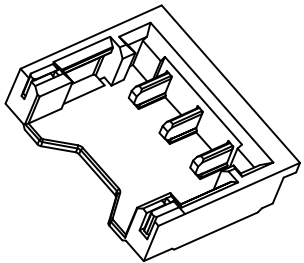
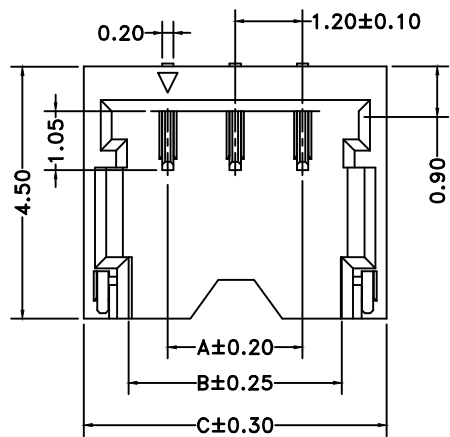


MATING VIEW




CONNECTOR OUTLINE

RECOMMENDED PCB LAYOUT
GENERAL TOLERANCE ±0.05

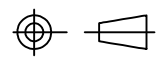


NOTE:
Current rating:2A AC,DC
Voltage rating:50V AC,DC
Temperature range:-25℃~+85℃
Insulation resistance:100MΩ/Min
Withstanding voltage:500V AC/minute
Contact resistance:20mΩ/Max

PART NO.	Dimension mm		
	A	B	C
HDGC1202WR-S-2P	1.20	2.60	4.20
HDGC1202WR-S-3P	2.40	3.80	5.40
HDGC1202WR-S-4P	3.60	5.00	6.60
HDGC1202WR-S-5P	4.80	6.20	7.80
HDGC1202WR-S-6P	6.00	7.40	9.00



深圳市华德共创科技有限公司
Shenzhen Huade co-create Technology Co.,LTD
电话: 0755-27129737 传真: 0755-29940187

-TOLERANCES- UNLESS OTHERWISE SPECIFIED 公差参数表			TITLE: MX1.2针座 产品名称:			
X.X ±0.30	X.X* ±3°	APPD: 核准: 谢亮	PART NO: HDGC1202WR-S-XP 产品编号:			
X.XX ±0.30	X.XX* ±2°	CHECK: 校对: 王建业	DATE	SCALE	UNIT	CODE NUMBER
X.XXX ±0.10	X.XXX* ±1°	DRAW: 绘图: 黄艳兰	2021-05-24	1:1	mm	A080